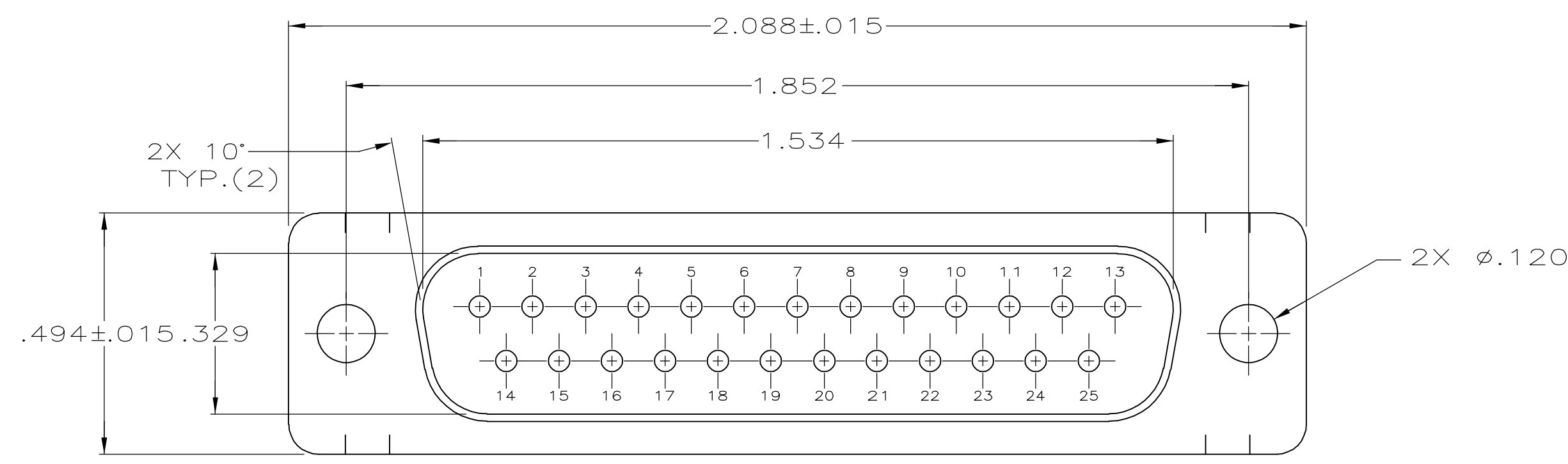
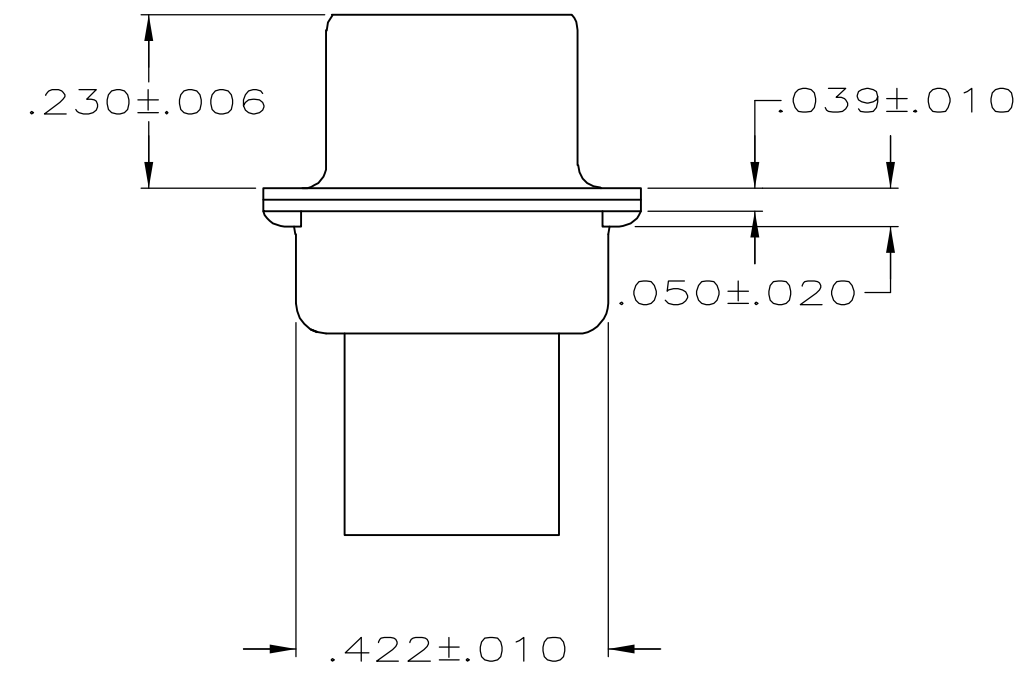
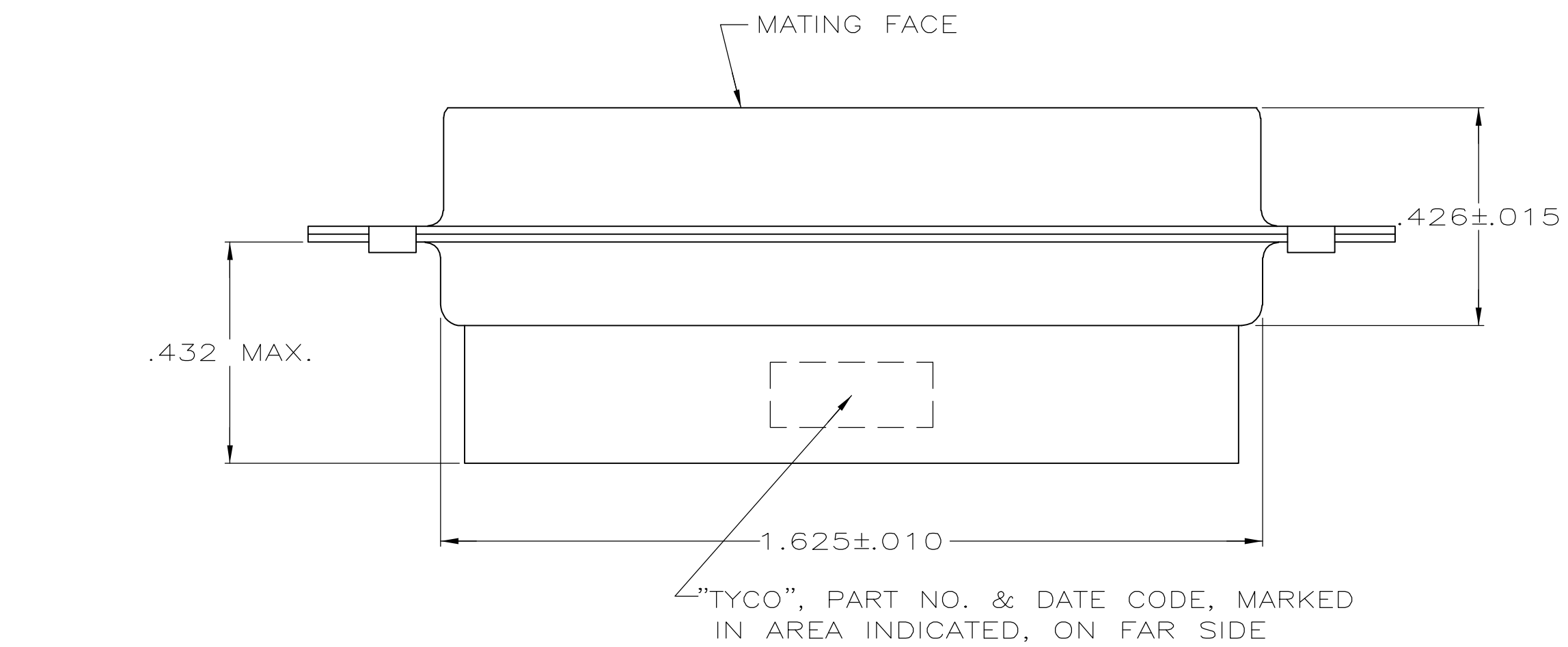


THIS DRAWING IS UNPUBLISHED. RELEASED FOR PUBLICATION
 © COPYRIGHT BY TYCO ELECTRONICS CORPORATION. ALL RIGHTS RESERVED.

LOC		DIST		REVISIONS			
P	LTR	DESCRIPTION		DATE	DWN	APVD	
GP	00	0		RELEASED PER EC OS13-0234-05	08SEP05	BM JG	



- CONNECTOR ACCEPTS SIZE 20 DF PIN CONTACTS, RETENTION TINES ARE AN INTEGRAL PART OF INSERT.
 - CONNECTOR COMPLIES WITH AMP SPEC. 108-40005 WHERE APPLICABLE.
- 3 MATERIAL:
 MOLDED PARTS: FLAME RETARDENT 94V-0 RATED GLASS FILLED NYLON, COLOR: BLACK.
 SHELLS: STEEL.
- 4 FINISH:
 SHELLS: ZINC PLATED .000200-.000400 THICK, YELLOW CHROMATE COATING.



**COPYRIGHT 2005
 TYCO ELECTRONICS CORP
 ALL RIGHTS RESERVED**

STANDARD	5205208-1
PACKAGING TYPE	PART NUMBER

THIS DRAWING IS A CONTROLLED DOCUMENT.		DWN B. MCMASTER 08SEP05	tyco Electronics	Tyco Electronics Corporation Harrisburg, Pa 17105-3608	
DIMENSIONS: INCHES		CHK C. ROHDE 08SEP05		NAME	
TOLERANCES UNLESS OTHERWISE SPECIFIED:		APVD M. WALMSLEY 08SEP05	PLUG CONNECTOR, SIZE 3, 25 POS., AMPLIMITE HDP		
0 PLC ± -		PRODUCT SPEC	SIZE	CAGE CODE	DRAWING NO
1 PLC ± -		APPLICATION SPEC	A2	00779	C=5205208
2 PLC ± -		WEIGHT	RESTRICTED TO		
3 PLC ± .005			-		
4 PLC ± -		CUSTOMER DRAWING	SCALE	SHEET	OF
ANGLES ± 2°			NTS	1	1
MATERIAL				REV	0
FINISH					

5205208